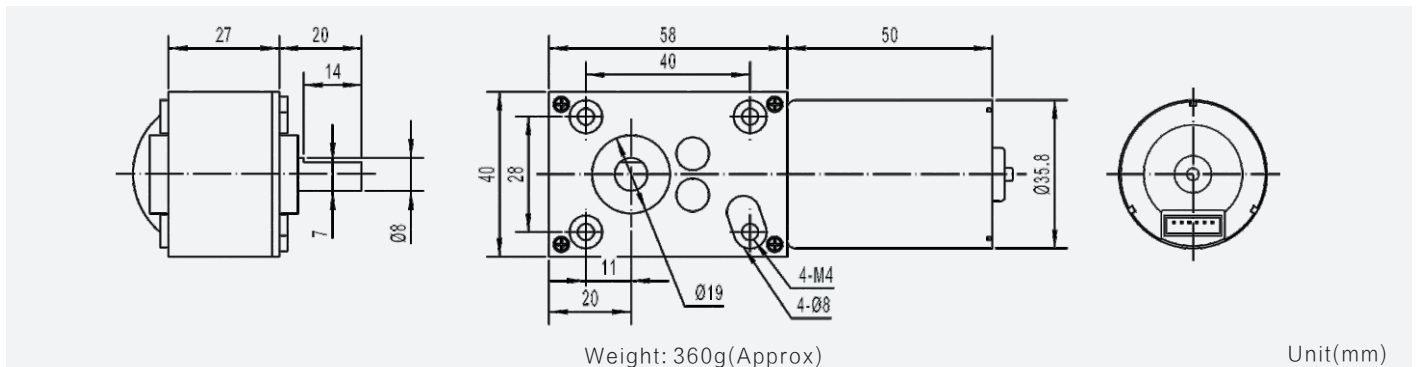


TWG4058-TEC3650 40×58mm worm gearbox plus 36mm brushless motor



模数 Module	0.6/0.7		
额定负载 Rated torque (kg.cm)	10.0 kg.cm max		
瞬间允许力矩 Max momentary tolerance torque (kg.cm)	20.0 kg.cm max		
减速比 Reduction ratio	1/81、1/135	1/207、1/251	1/405、1/621
齿轮箱减速级数 Number of gear stages	3	4	5
减速箱长度 Gearbox length L (mm)	58.0		

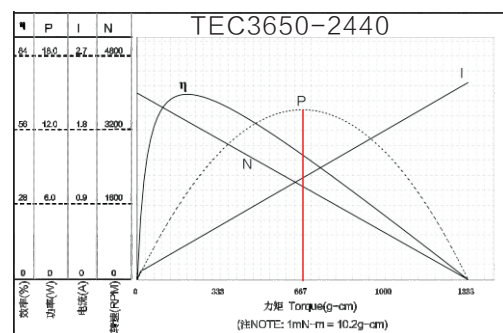
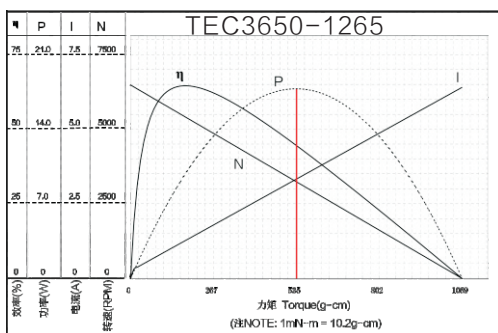


减速电机技术参数 Gear Motor Technical Data

电压 Voltage	减速比 Reduction ratio	Gear Ratio					
		81	135	207	251	405	621
12.0V	空载转速 No-load speed (rpm)	80	48	31	26	16	10
	负载转速 Rated speed (rpm)	65	40	26	22	13	9
	负载力矩 Rated torque (kg.cm)	10	10	10	10	10	10
	空载转速 No-load speed (rpm)	49	30	19	16	10	6
24.0V	负载转速 Rated speed (rpm)	42	25	17	14	9	5
	负载力矩 Rated torque (kg.cm)	10	10	10	10	10	10

单电机技术参数 Motor Technical Data

电机型号 Motor model	额定电压 Rated voltage	无负荷 No-load		额定 Rated			堵转 Stall		
		转速 Speed	电流 Current	转速 Speed	力矩 Torque	电流 Current	功率 Power	力矩 Torque	电流 Current
TEC3650-1265	12.0	6500	250	5300	200	1400	10.9	1083	5.0
TEC3650-2440	24.0	4000	80	3400	200	420	7.0	1333	2.4



备注：红线左侧为电机可以连续工作区域 NOTE: the left side of red line area can continuous work