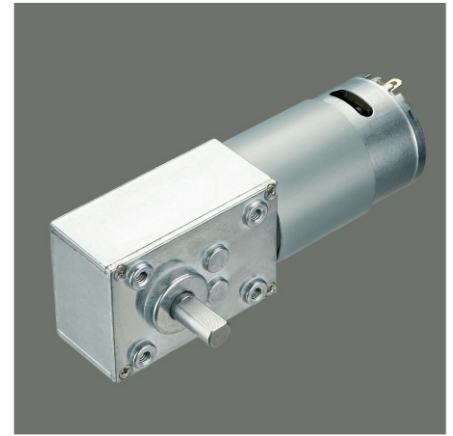
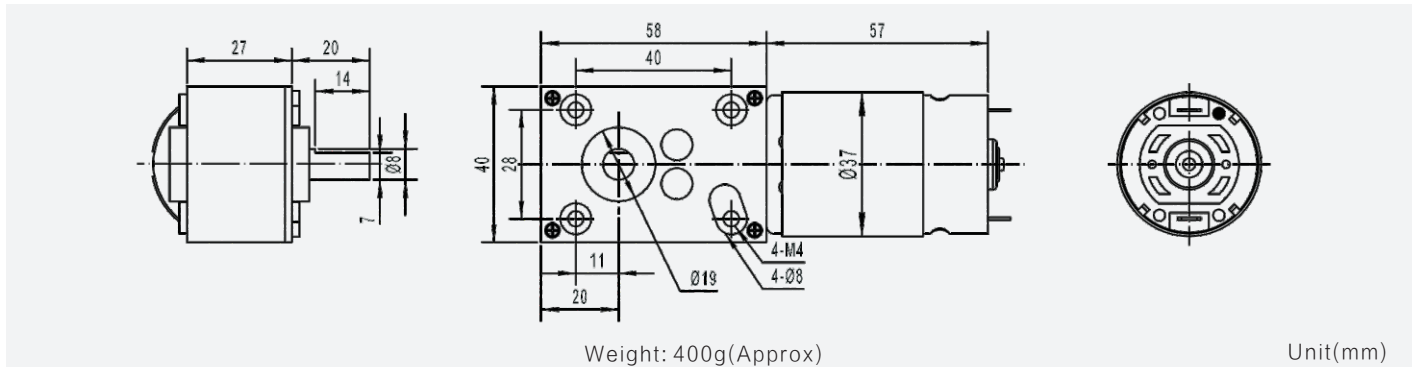


TWG4058-555PM

40×58mm worm gearbox plus 555 permanent magnet DC motor



模数 Module	0.6/0.7		
额定负载 Rated torque (kg.cm)	10.0 kg.cm max		
瞬间允许力矩 Max momentary tolerance torque (kg.cm)	20.0 kg.cm max		
减速比 Reduction ratio	1/81、1/135	1/207、1/251	1/405、1/621
齿轮箱减速级数 Number of gear stages	3	4	5
减速箱长度 Gearbox length L (mm)	58.0		



减速电机技术参数 Gear Motor Technical Data

电压 Voltage	减速比 Reduction ratio	空载转速 No-load speed (rpm)						额定负载 Rated torque (kg.cm)						
		81	135	207	251	405	621	10	10	10	10	10	10	
12.0V	空载转速 No-load speed (rpm)	60	35	24	20	12	8							
	负载转速 Rated speed (rpm)	50	32	20	18	11	7							
	负载力矩 Rated torque (kg.cm)	10	10	10	10	10	10							
24.0V	空载转速 No-load speed (rpm)	47	28	19	16	10	6							
	负载转速 Rated speed (rpm)	40	24	16	13	9	5							
	负载力矩 Rated torque (kg.cm)	10	10	10	10	10	10							

单电机技术参数 Motor Technical Data

电机型号 Motor model	额定电压 Rated voltage	无负荷 No-load		额定 Rated			堵转 Stall		
		转速 Speed	电流 Current	转速 Speed	力矩 Torque	电流 Current	功率 Power	力矩 Torque	电流 Current
	VDC	r/min	mA	r/min	g.cm	mA	W	g.cm	A
TRS-555PM-1250	12.0	5000	250	4300	200	1400	8.8	1430	8.5
TRS-555PM-2440	24.0	4000	150	3200	200	800	6.6	1000	3.5

