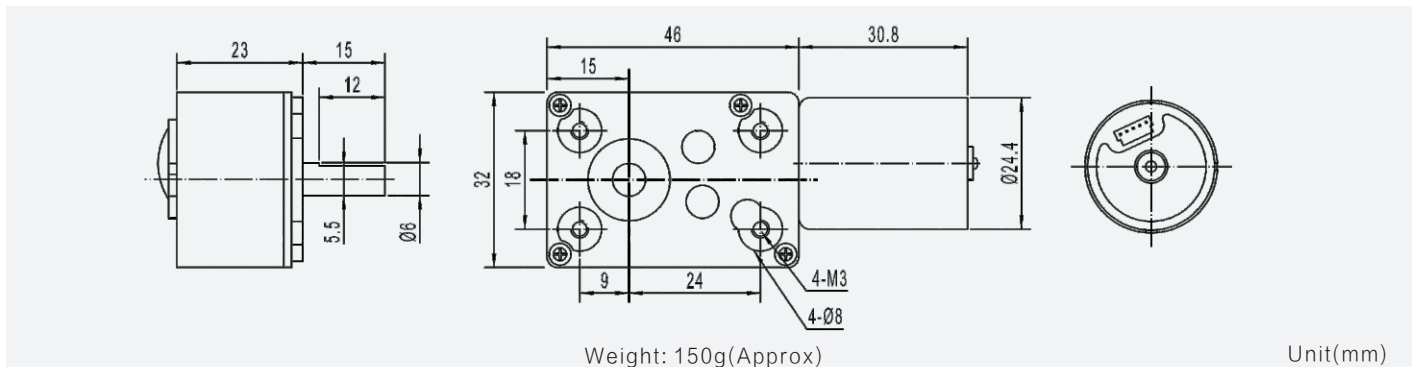


# TWG3246-TEC2430 32×46mm worm gearbox plus 24mm brushless motor



模数 Module	0.5/0.6		
额定负载 Rated torque (kg.cm)	8.0 kg.cm max		
瞬间允许力矩 Max momentary tolerance torque (kg.cm)	15.0 kg.cm max		
减速比 Reduction ratio	1/70, 1/146 1/188, 1/233 1/300	1/483, 1/563 1/700, 1/900	1/1020, 1/1313 1/1688, 1/2100 1/2700
齿轮箱减速级数 Number of gear stages	3	4	5
减速箱长度 Gearbox length L (mm)	46.0		

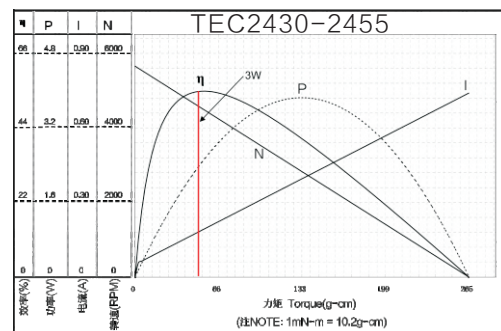
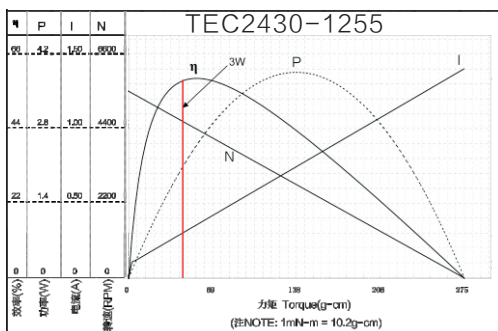


## 减速电机技术参数 Gear Motor Technical Data

	146	188	300	438	563	700	900	1020	1313	1688
<b>12.0V</b>										
减速比 Reduction ratio	146	188	300	438	563	700	900	1020	1313	1688
空载转速 No-load speed (rpm)	35	29	18	12	10	8	6	5	4	3
负载转速 Rated speed (rpm)	30	24	15	10	9	7	5	4	4	3
负载力矩 Rated torque (kg.cm)	5.0	6.0	8.0	8.0	8.0	8.0	8.0	8.0	8.0	8.0
<b>24.0V</b>										
空载转速 No-load speed (rpm)	35	29	18	12	10	8	6	5	4	3
负载转速 Rated speed (rpm)	30	24	15	10	9	7	5	4	4	3
负载力矩 Rated torque (kg.cm)	5.0	6.0	8.0	8.0	8.0	8.0	8.0	8.0	8.0	8.0

## 单电机技术参数 Motor Technical Data

电机型号 Motor model	额定电压 Rated voltage	无负荷 No-load		额定 Rated			堵转 Stall		
		转速 Speed	电流 Current	转速 Speed	力矩 Torque	电流 Current	功率 Power	力矩 Torque	电流 Current
	VDC	r/min	mA	r/min	g.cm	mA	W	g.cm	A
TEC2430-1255	12.0	5500	50	4500	50	330	2.7	275	0.80
TEC2430-2455	24.0	5500	90	4500	50	180	2.7	275	0.75



备注：红线左侧为电机可以连续工作区域 NOTE: the left side of red line area can continuous work