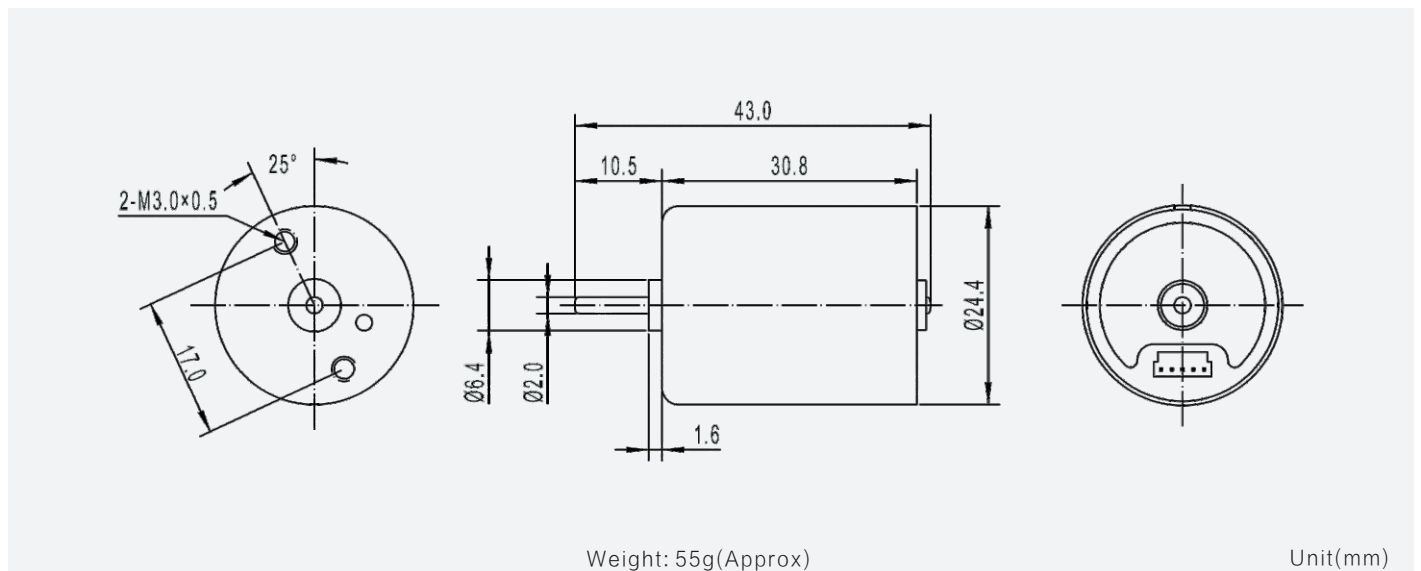


TEC2430

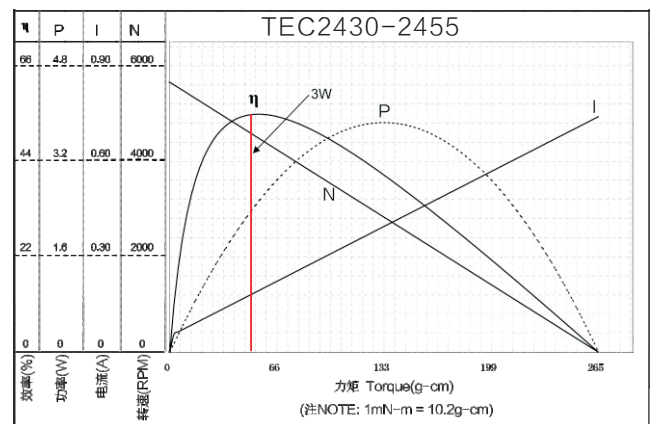
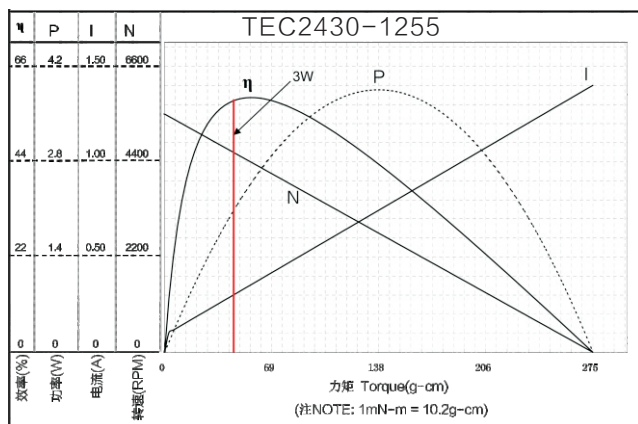
24mm brushless motor

| | | | |
|--------|---|-----------------|---------------------|
| 接线方式 A | Connection Mode A | | |
| 正反转功能 | Clockwise Rotation/Counter Clockwise Rotation | | |
| 信号输出功能 | FG Signal | | |
| 脉宽调速功能 | PWM Control | | |
| 锁定保护 | Locked Rotor Protection | | |
| 最大功率 | 3W(内置驱动) | Power | 3W(Internal Drive) |
| | / | | / |
| 电机寿命 | 约3000H(含油轴承) | Life Expectancy | ~3000H(Oil Bearing) |
| | / | | / |



单电机技术参数 Motor Technical Data

| 电机型号 Motor model | 额定电压 Rated voltage VDC | 无负荷No-load | | 额定 Rated | | | 堵转 Stall | | |
|---------------------|------------------------------|----------------------|---------------------|----------------------|----------------------|---------------------|------------------|----------------------|--------------------|
| | | 转速 Speed r/min | 电流 Current mA | 转速 Speed r/min | 力矩 Torque g.cm | 电流 Current mA | 功率 Power W | 力矩 Torque g.cm | 电流 Current A |
| TEC2430-1255 | 12.0 | 5500 | 90 | 4500 | 50 | 330 | 2.3 | 270 | 1.4 |
| TEC2430-2455 | 24.0 | 5500 | 50 | 4500 | 50 | 180 | 2.3 | 270 | 0.75 |



备注: 红线左侧为电机可以连续工作区域NOTE: the left side of red line area can continuous work