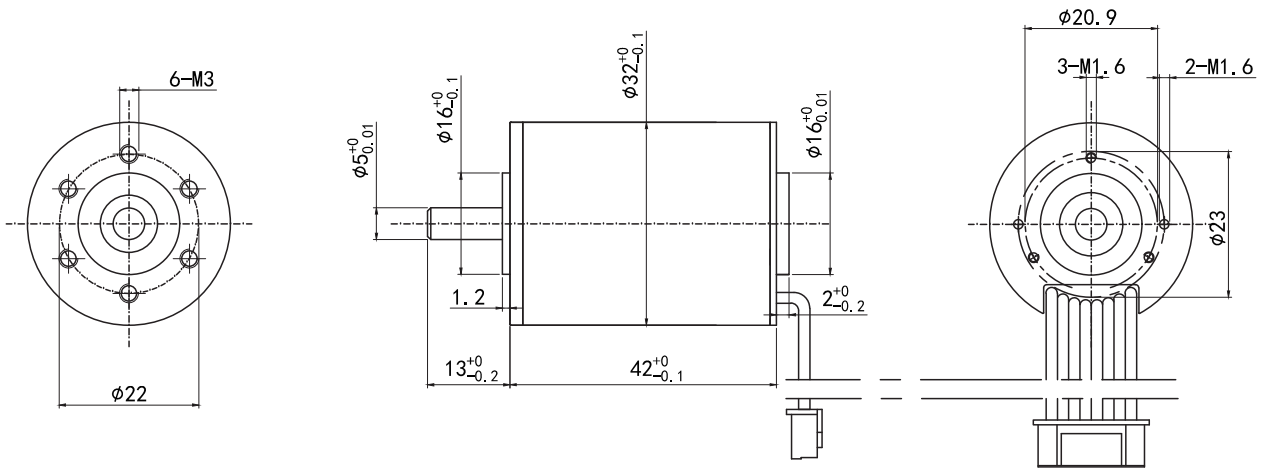


TBC3242 (该机型可以做4Pole电机) (Can be made into 4Pole motor)

32mm brushless motor

最大功率	45.5W (外置驱动)	Power	45.5W(External Drive)
	/		/
电机寿命	约10000H(滚珠轴承)	Life Expectancy	~10000H(Ball Bearing)
	/		/



Weight:120(Approx)

Unit(mm)

单电机技术参数 Motor Technical Data

电机型号 Motor model	额定电压 Rated voltage VDC	无负荷 No-load		额定 Rated			堵转 Stall		
		转速 Speed r/min	电流 Current mA	转速 Speed r/min	力矩 Torque g.cm	电流 Current mA	功率 Power W	力矩 Torque g.cm	电流 Current A
TBC3242GH	12	5540	102	4709	4600	4600	45.5	6284	30
TBC3242GH	24	6466	114	3912	1900	1900	25.1	1581	4.6

