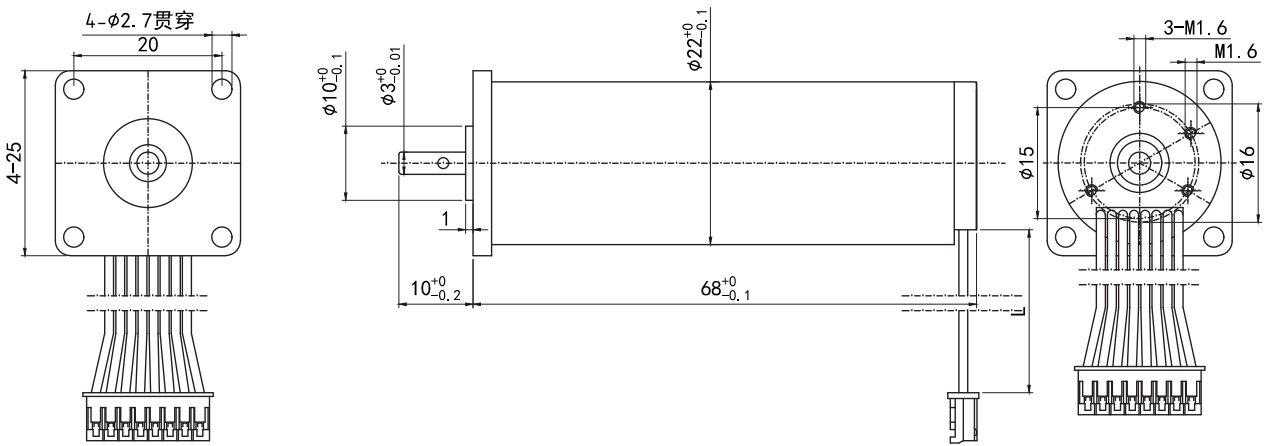


# TBC2266 (该机型可以做4Pole电机) (Can be made into 4Pole motor)

22mm brushless motor



最大功率	118.5W (外置驱动)	Power	118.5W(External Drive)
	/		/
电机寿命	约10000H(滚珠轴承)	Life Expectancy	~10000H(Ball Bearing)
	/		/



Weight:230(Approx)

Unit(mm)

## 单电机技术参数 Motor Technical Data

电机型号 Motor model	额定电压 Rated voltage VDC	无负荷 No-load		额定 Rated				堵转 Stall	
		转速 Speed r/min	电流 Current mA	转速 Speed r/min	力矩 Torque g.cm	电流 Current mA	功率 Power W	力矩 Torque g.cm	电流 Current A
TBC2266GH	12	11500	240	9775	621	6500	62.3	4140	42
TBC2266GH	24	15600	251	13260	871	6200	118.5	5807	40

