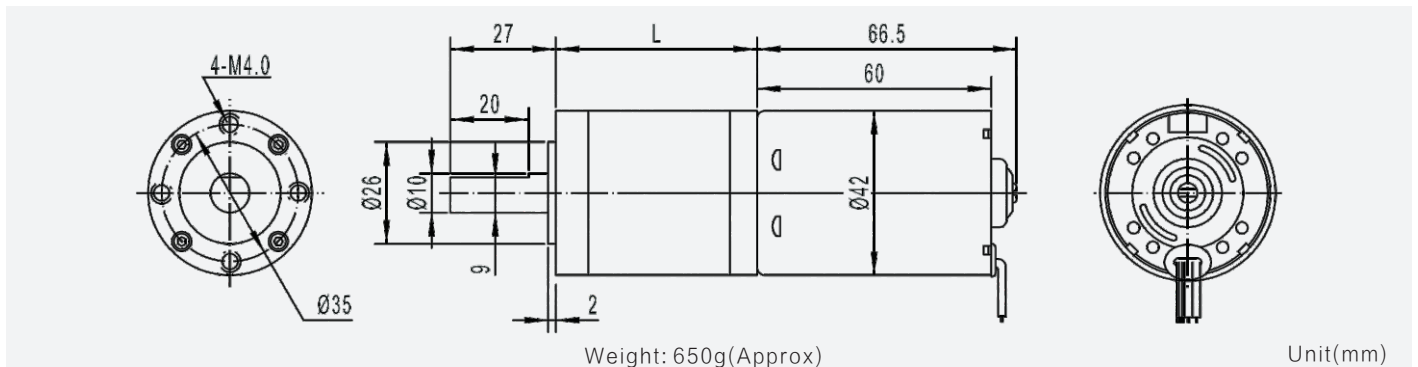


GMP42-TEC4260 42mm planetary gearbox plus 42mm brushless motor



模数 Module	0.6			
额定负载 Rated torque (kg.cm)	60.0 kg.cm max			
瞬间允许力矩 Max momentary tolerance torque (kg.cm)	120.0 kg.cm max			
减速比 Reduction ratio	1/4	1/14 1/19 1/27	1/51、1/71 1/100、1/139	1/189、1/264 1/369、1/516 1/720
齿轮箱减速级数 Number of gear stages	1	2	3	4
减速箱长度 L (mm)	31.5	42	52	62

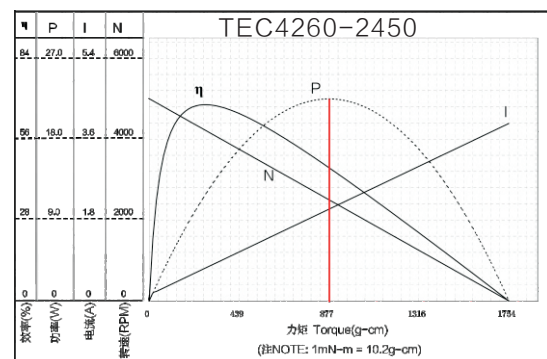
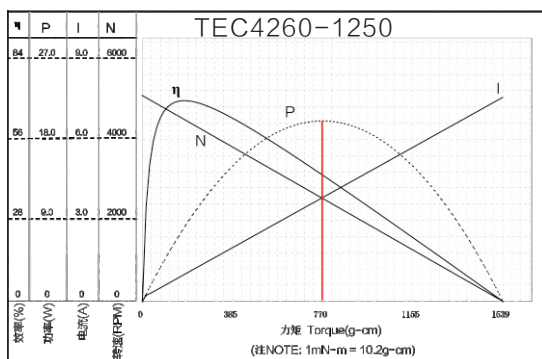


减速电机技术参数 Gear Motor Technical Data

	4	19	51	100	139	189	264	369	516	720
12.0V										
减速比 Reduction ratio	4	19	51	100	139	189	264	369	516	720
空载转速 No-load speed (rpm)	1200	250	96	50	35	25	19	13	10	7
负载转速 Rated speed (rpm)	850	180	65	34	24	18	13	9	9	6
负载力矩 Rated torque (kg.cm)	1.8	8	18	35	50	56	60	60	60	60
24.0V										
空载转速 No-load speed (rpm)	1200	250	96	50	35	25	19	13	10	7
负载转速 Rated speed (rpm)	890	190	68	35	24	18	14	10	9	6
负载力矩 Rated torque (kg.cm)	1.8	8	18	35	50	56	60	60	60	60

单电机技术参数 Motor Technical Data

电机型号 Motor model	额定电压 Rated voltage VDC	无负荷 No-load		额定 Rated			堵转 Stall		
		转速 Speed r/min	电流 Current mA	转速 Speed r/min	力矩 Torque g.cm	电流 Current mA	功率 Power W	力矩 Torque g.cm	电流 Current A
TEC4260-1250	12.0	5000	300	3400	500	2.5	17	1500	4.0
TEC4260-2450	24.0	5000	140	3550	500	1.3	18	1700	4.0



备注：红线左侧为电机可以连续工作区域 NOTE: the left side of red line area can continuous work