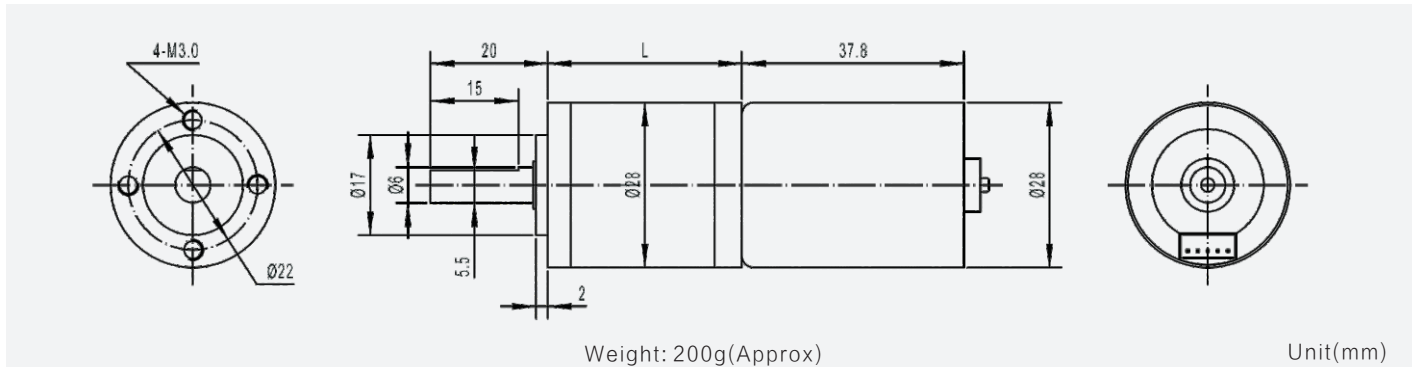


GMP28-TEC2838 28mm planetary gearbox plus 28mm brushless motor



模数 Module	0.5			
额定负载 Rated torque (kg.cm)	20.0 kg.cm max			
瞬间允许力矩 Max momentary tolerance torque (kg.cm)	40.0 kg.cm max			
减速比 Reduction ratio	1/4	1/14 1/19 1/27	1/51, 1/71 1/100, 1/139	1/189, 1/264 1/369, 1/516 1/720
齿轮箱减速级数 Number of gear stages	1	2	3	4
减速箱长度 L (mm)	28.5	36	43	50

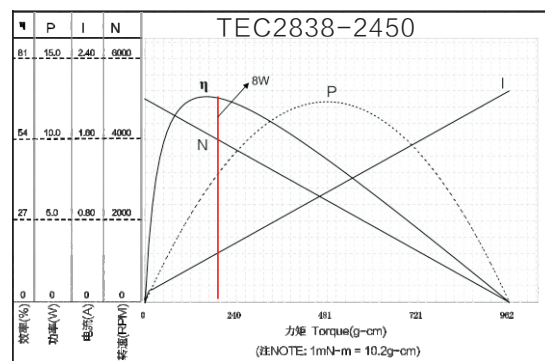
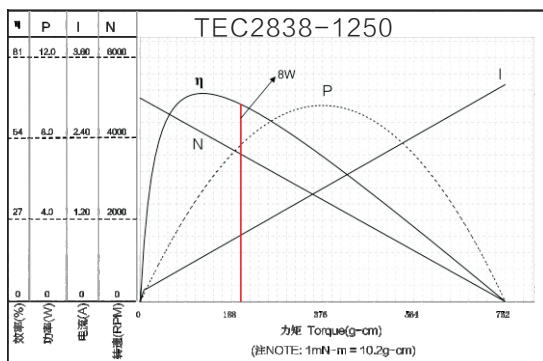


减速电机技术参数 Gear Motor Technical Data

	4	19	27	51	100	189	264	369	516	720
12.0V										
空载转速 No-load speed (rpm)	1200	260	180	96	50	25	18	13	9	7
负载转速 Rated speed (rpm)	1050	220	155	80	42	22	16	11	8	6
负载力矩 Rated torque (kg.cm)	0.3	1.3	1.8	3.0	6	10	13	18	20	20
24.0V										
空载转速 No-load speed (rpm)	1200	260	180	96	50	25	18	13	9	7
负载转速 Rated speed (rpm)	1100	230	160	85	42	23	17	12	8	6
负载力矩 Rated torque (kg.cm)	0.3	1.3	1.8	3.0	6	10	13	18	20	20

单电机技术参数 Motor Technical Data

电机型号 Motor model	额定电压 Rated voltage VDC	无负荷 No-load		额定 Rated			堵转 Stall		
		转速 Speed r/min	电流 Current mA	转速 Speed r/min	力矩 Torque g.cm	电流 Current mA	功率 Power W	力矩 Torque g.cm	电流 Current A
TEC2838-1250	12.0	5000	140	4200	100	550	4.3	750	3.2
TEC2838-2450	24.0	5000	90	4400	100	300	4.5	960	2.1



备注: 红线左侧为电机可以连续工作区域 NOTE: the left side of red line area can continuous work