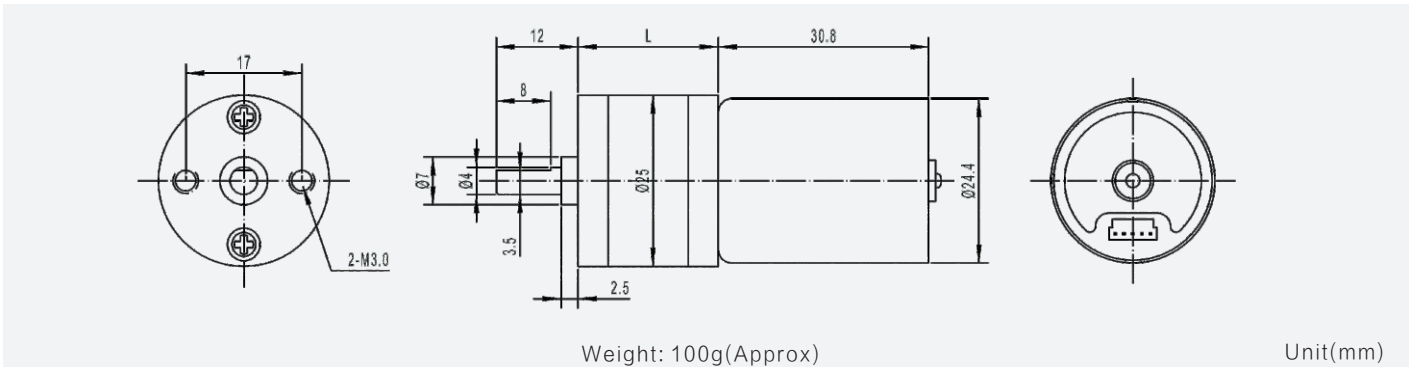


# GM25-TEC2430

25mm gearbox plus 24mm brushless motor



模数 Module	0.4						
额定负载 Rated torque (kg.cm)	3.0 kg.cm max						
瞬间允许力矩 Max momentary tolerance torque (kg.cm)	6.0 kg.cm max						
减速比 Reduction ratio	1/4.2	1/9.3	1/20	1/34	1/75	1/130	1/362
	1/4.4	1/10	1/21	1/45	1/78	1/165	1/378
齿轮箱减速级数 Number of gear stages	2	3	4	5	6	7	8
	17	19	21	23	25	27	27

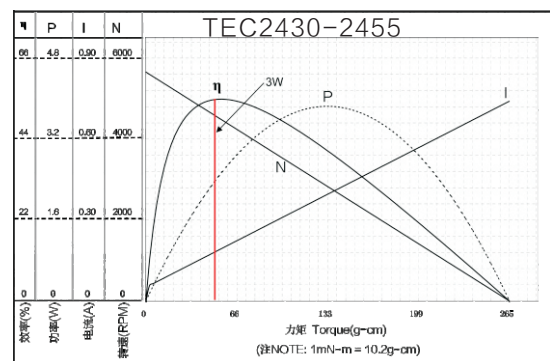
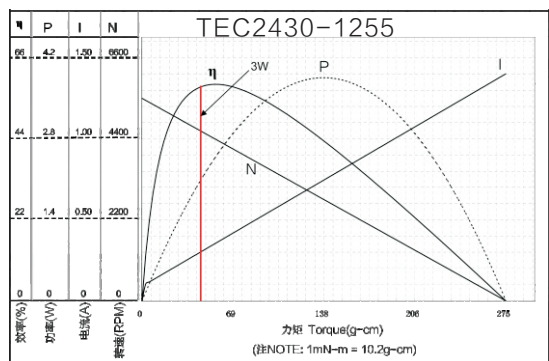


## 减速电机技术参数 Gear Motor Technical Data

12.0V	减速比 Reduction ratio	4	10	21	34	47	78	103	130	227	499
	空载转速 No-load speed (rpm)	1350	550	260	160	115	70	52	42	24	11
	负载转速 Rated speed (rpm)	1212	485	230	140	102	60	47	36	20	10
	负载力矩 Rated torque (kg.cm)	0.16	0.34	0.8	1.2	1.6	2.4	3.0	3.0	3.0	3.0
24.0V	空载转速 No-load speed (rpm)	1350	550	260	160	115	70	52	42	24	11
	负载转速 Rated speed (rpm)	1212	485	230	140	102	60	47	36	20	10
	负载力矩 Rated torque (kg.cm)	0.16	0.34	0.8	1.2	1.6	2.4	3.0	3.0	3.0	3.0

## 单电机技术参数 Motor Technical Data

电机型号 Motor model	额定电压 Rated voltage VDC	无负荷 No-load		额定 Rated			堵转 Stall		
		转速 Speed r/min	电流 Current mA	转速 Speed r/min	力矩 Torque g.cm	电流 Current mA	功率 Power W	力矩 Torque g.cm	电流 Current A
TEC2430-1255	12.0	5500	90	4500	50	330	2.3	270	1.4
TEC2430-2455	24.0	5500	50	4500	50	180	2.3	270	0.75



备注：红线左侧为电机可以连续工作区域NOTE: the left side of red line area can continuous work