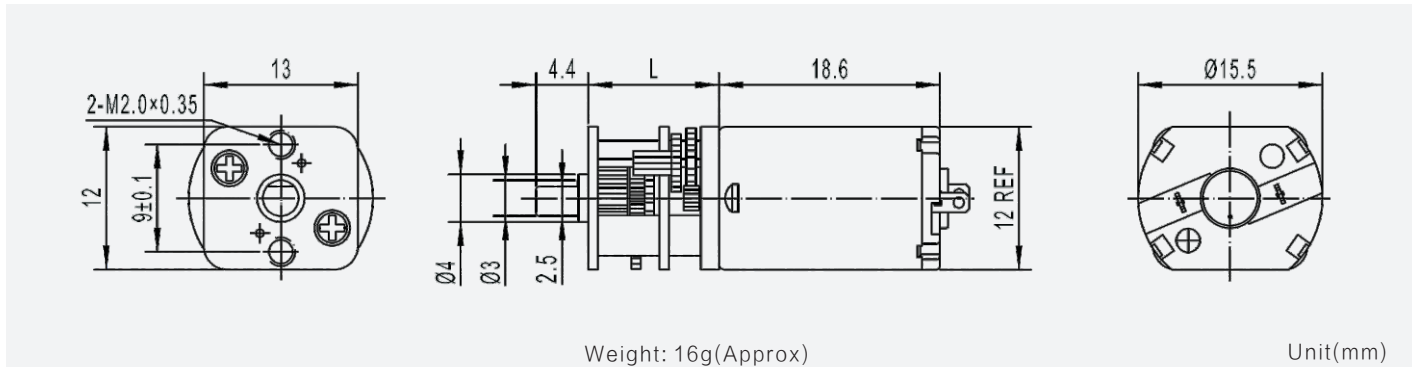
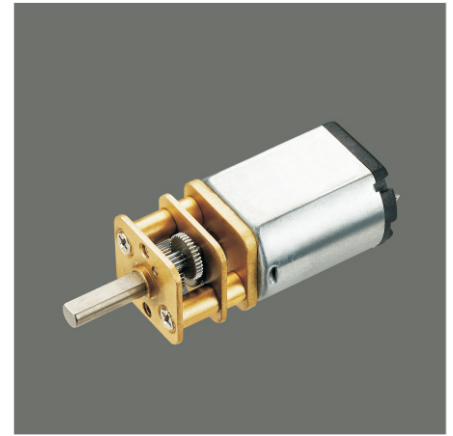


GM13-030PA

13mm gearbox plus 030 permanent magnet DC motor

模数 Module	0.15		
额定负载 Rated torque (kg.cm)	0.5 kg.cm max		
瞬间允许力矩 Max momentary tolerance torque (kg.cm)	1.0 kg.cm max		
减速比 Reduction ratio	1/10	1/20、1/35 1/63、1/86	1/115、1/150 1/250、1/360
齿轮箱减速级数 Number of gear stages	2	4	5
减速箱长度 Gearbox length L (mm)	11.0		



减速电机技术参数 Gear Motor Technical Data

电压 Voltage	减速比 Reduction ratio	性能 Performance											
		空载转速 No-load speed (rpm)	负载转速 Rated speed (rpm)	负载力矩 Rated torque (kg.cm)	空载转速 No-load speed (rpm)	负载转速 Rated speed (rpm)	负载力矩 Rated torque (kg.cm)	空载转速 No-load speed (rpm)	负载转速 Rated speed (rpm)	负载力矩 Rated torque (kg.cm)	空载转速 No-load speed (rpm)	负载转速 Rated speed (rpm)	负载力矩 Rated torque (kg.cm)
6.0V	3	3600	3000	0.01	4000	3250	0.01	115	96	0.35	12500	10000	0.45
	10	1100	900	0.03	1200	975	0.03	150	73	0.45	10000	7000	0.45
	20	550	450	0.06	610	485	0.06	250	44	0.5	3000	2500	0.5
12.0V	35	310	260	0.1	350	280	0.48	63	130	0.19	9000	7000	0.26
	63	175	140	0.19	195	155	0.19	86	105	0.26	6000	4500	0.26
	86	130	105	0.26	140	110	0.26	115	85	1.6	4000	3000	0.5

单电机技术参数 Motor Technical Data

电机型号 Motor model	额定电压 Rated voltage	无负荷 No-load		额定 Rated			堵转 Stall		
		转速 Speed	电流 Current	转速 Speed	力矩 Torque	电流 Current	功率 Power	力矩 Torque	电流 Current
	VDC	r/min	mA	r/min	g.cm	mA	W	g.cm	A
TFF-030PA-09220	6.0	11500	35	9000	5.0	140	0.45	23	0.60
TFF-030PA-06400	12.0	12500	20	9750	5.0	75	0.50	23	0.27

